

VISION LINE

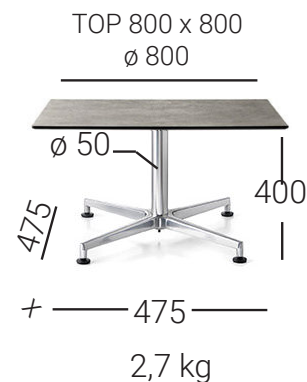
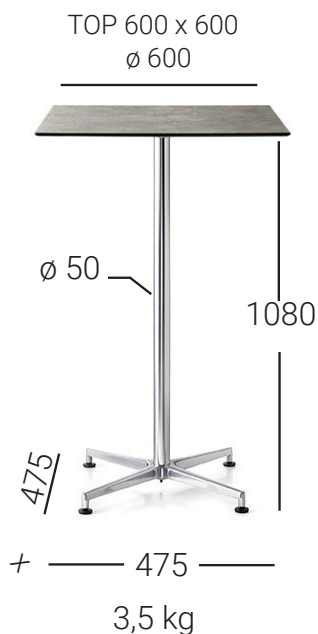
# BASE VISION

Base in painted die-cast aluminum composed of a round section extruded aluminum column, aluminum "star" cruise cast.

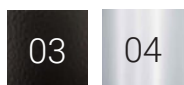


## STANDARD HEIGHTS

dimensions in millimeters



### Standard finishes



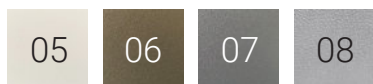
03. Orange Peel Effect Black,  
04. Shiny Aluminum

### Industrial paintings



09. Corten, 10. Rust, 11. Graphite Grey,  
12. Coal Black, 13. Gunmetal,  
14. Burnished Steel, 15. Industrial Aluminum

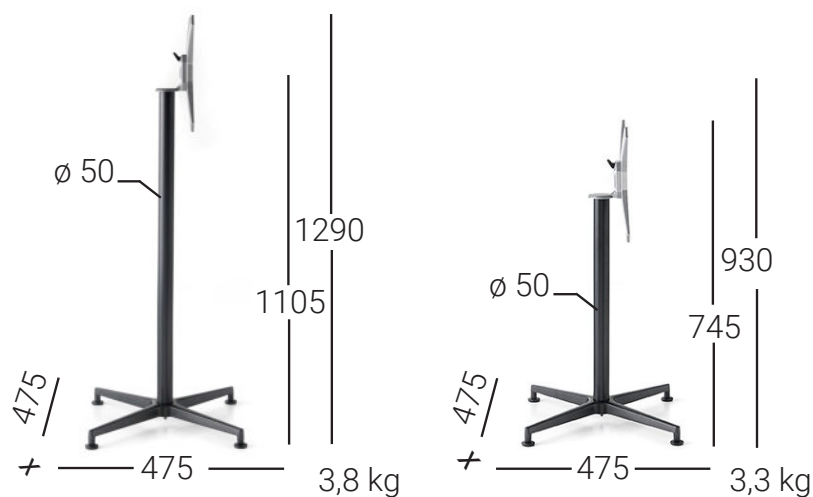
### Special finishes



05. Wrinkle White,  
06. Wrinkle Cappuccino,  
07. Wrinkle Grey,  
08. Orange Peel Aluminum

\* see ["Warranty, cleaning and maintenance of the products, use and placement of the products"](#)

N.B: top measurements are indicative or recommended by PF STILE  
N.B: the industrial finishes are made with artisan procedures and there can be variations in color from production to production



## TECHNICAL DETAILS

- Die-cast painted aluminum base
- Extruded painted aluminum column
- "Star" cross in die-cast aluminium
- Mechanism for bringing the plate into a vertical axis
- 4 plug-in caps

## EXTRAS

- Painting in any RAL color
- Exterior outdoor finishing \*
- Single base cardboard packaging

\* see "[Warranty, cleaning and maintenance of the products, use and placement of the products](#)"