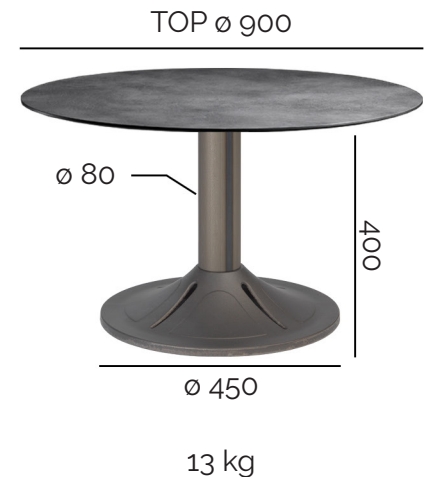
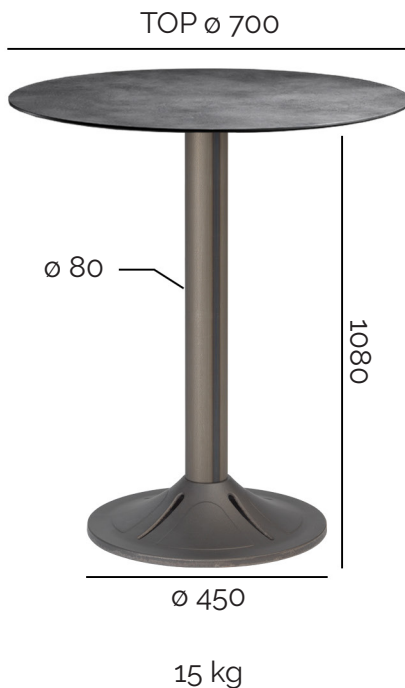


Cast iron base composed of round painted cast iron ballast and painted steel column in round sections. Equipped with a "Star" cross in die-cast aluminum or dial in aluminum for glass tops.

STANDARD HEIGHTS

dimensions in millimeters

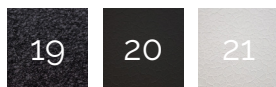


Standard finishes



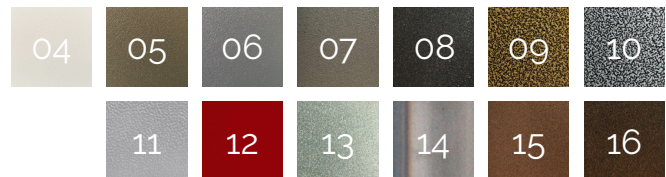
03. Orange peel effect black

Premium finishes



19. Damasco black, 20. Cracked black,
21. Cracked white

Special finishes



04. Wrinkle white, 05. Wrinkle cappuccino,
06. Wrinkle grey, 07. Graphite sand gray,
08. Graphite black, 09. Polished black gold,
10. Polished black silver, 11. Orange peel aluminum,
12. PF red, 13. Polished metallic silver,
14. Burnished steel, 15. Rust, 16. Corten

TECHNICAL DETAILS

- Painted cast iron ballast with epoxy dust
- Painted steel column with epoxy dust
- "Star" cross in die-cast painted aluminum with epoxy dust
- Dial in aluminum for glass tops
- 4 adjustable feet

EXTRAS

- Painting in any RAL color
- Exterior outdoor finishing (polyester painting) *
- Transparent, matte, anti-fingerprint polyester painting
- Single base cardboard packaging

* see "[Warranty, cleaning and maintenance of the products, use and placement of the products](#)"