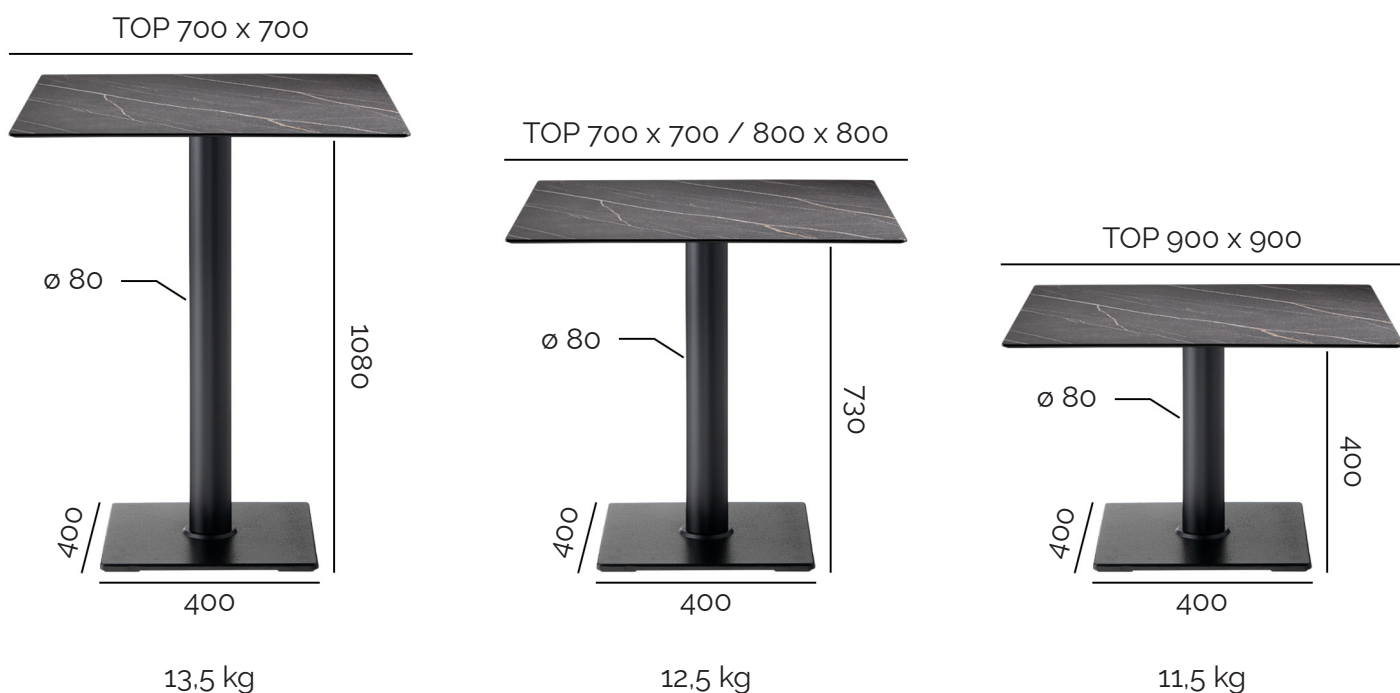


Cast iron base composed of square painted cast iron ballast and painted steel column in round sections. Equipped with a "Star" cross in die-cast aluminum or dial in aluminum for glass tops.

STANDARD HEIGHTS

dimensions in millimeters



Standard finishes



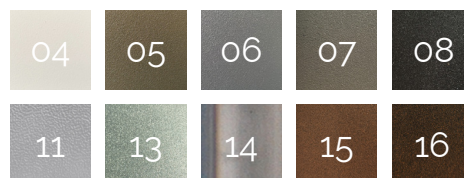
03. Orange peel effect black

Premium finishes



09. Polished black gold, 10. Polished black silver, 12. PF red, 20. Cracked black, 21. Cracked white

Special finishes

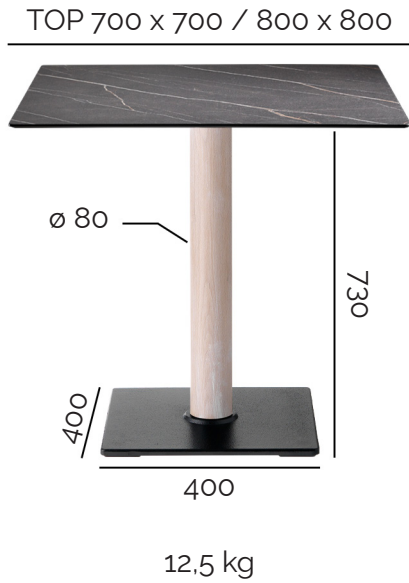


04. Wrinkle white, 05. Wrinkle cappuccino, 06. Wrinkle grey, 07. Graphite sand gray, 08. Graphite black, 11. Orange peel aluminum, 13. Polished metallic silver, 14. Burnished steel, 15. Rust, 16. Corten

* see ["Warranty, cleaning and maintenance of the products, use and placement of the products"](#)

N.B: Top measurements are indicative or recommended by PF STILE
N.B: The special and premium finishes are made with artisan procedures and there can be variations in color from production to production.

SOLID BEECH WOOD COLUMN FOR THE BASE H 730 MM



Standard wood finishes



01. Natural, 02. Coffee brown,
03. Nutmeg

Special wood PF finishes



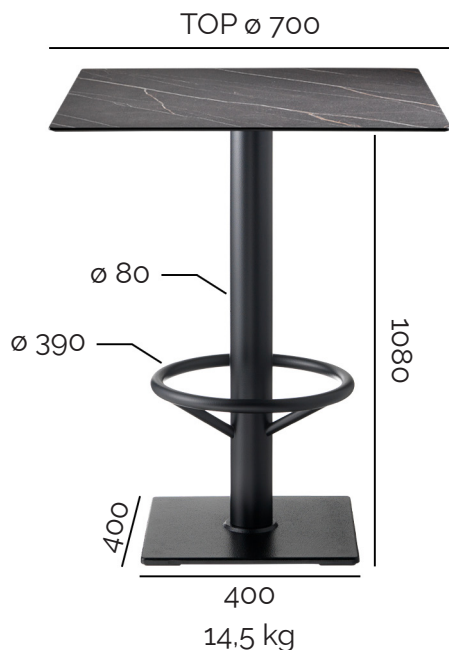
04. Silver, 05. Gold

TECHNICAL DETAILS

- Painted cast iron ballast with epoxy dust
- Painted steel column with epoxy dust
- "Star" cross in die-cast painted aluminum with epoxy dust
- Dial in aluminum for glass tops
- 4 adjustable feet

EXTRAS

- Painting in any RAL color
 - Exterior outdoor finishing (polyester painting) *
 - Transparent, matte, anti-fingerprint polyester painting
 - Single base cardboard packaging
- Footrest "Dream" for h 1080 mm base



* see ["Warranty, cleaning and maintenance of the products, use and placement of the products"](#)

N.B: Top measurements are indicative or recommended by PF STILE
N.B: Woods may vary slightly from production to production.